

MOSFiTM 

Registered with MSME (Govt. of India)

Powered by Alaska Automation Pvt. Ltd.

An ISO 9001:2015 Company

10 Years



**Guaranteed availability
of Original & Genuine Parts**

ECONOMY 301 M.S Flap Barrier (SINGLE/MULTIPLE LANE)

Features :

MOSFi machines are designed with the mindframe for providing quick & authorized pedestrian access control according to global need.

- ▶ At time of designing and manufacturing we must take care of core values like security of premises, block unauthorized entry, with no noise during operation and safety of people who are using Mosfi machine.
- ▶ **MOSFi** ECONOMY SERIES Flap barrier are made up of mild steel-18 gauge sheet with powder coated paint for Esthetic look Standard color is (Grey) but our clients can choose the colour as per there interier design. it can also be take customize flap embossing as per there org, name and logo & sheets can be 16 gauge/14 gauge.
- ▶ **MOSFi** ECO SERIES machine are decorated with **ANTI CRASH SENSOR** (for safety of user), **ANTICONGULATION SENSOR** (blocking of two person entry), **ANTI PINCH FUNCTION** (support with requirements of fire fighters), **AUTO CLOSE MODE** (in prescribed time **DIRECTION CONTROL** (for pedestrian IN/OUT).



Designed in Italy
100%
Make in India

India's No.1 Manufacturer of Entrance Automation Product



10 Years



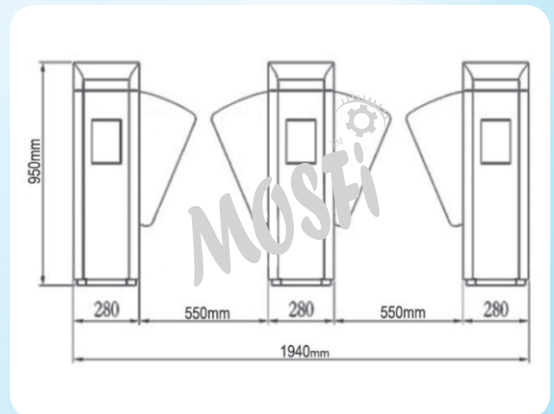
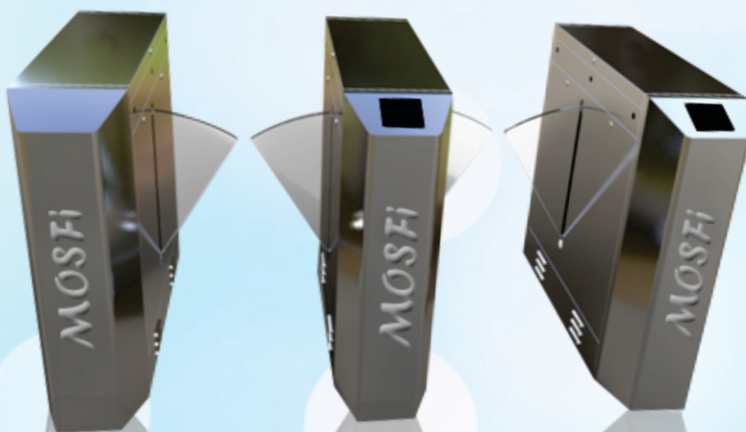
Registered with MSME (Govt. of India)
 Powered by Alaska Automation Pvt. Ltd.
 An ISO 9001:2015 Company

Guaranteed availability of Original & Genuine Parts

Specification :

MODEL NO ECO 301 M.S FLAP BARRIER

Passage Width:	Up To 550 mm	Mother board:	MOSFI IB-280
MATERIAL	MILD STEEL 18 Guage	Anti crash sensor:	IN-BUILT
Operating time:	2Sec	Anti Coagulation censor:	IN-BUILT
FLAP LED INDICATOR	No	Auto close censor:	IN-BUILT
Paint	Powder coated(Custom)	Alarm:	Anti side access/Block passage
FLAP DIMENSION	280mm*340mm	Access through:	S.Card+Pin+Push button
BODY DIMENSION	800*300*880	User capacity:	300 User
Opening direction:	BIDIRECTIONAL	Verification Mode:	3 Mode
DRIVE VOLTAGE	DC 24-V	IP PROTECTION:	IP43
POWER	AC 220-V 50/60HZ	Working Humidity:	20% To 60%
Power consumption	80 W	Working Temp:	-5 To 55 deg C



Kindly Note : AAPL Reserve the rights to make changes at any stage without any prior notice. Color & Shape may be changed from time to time.